

**Allergy
Vacuum**

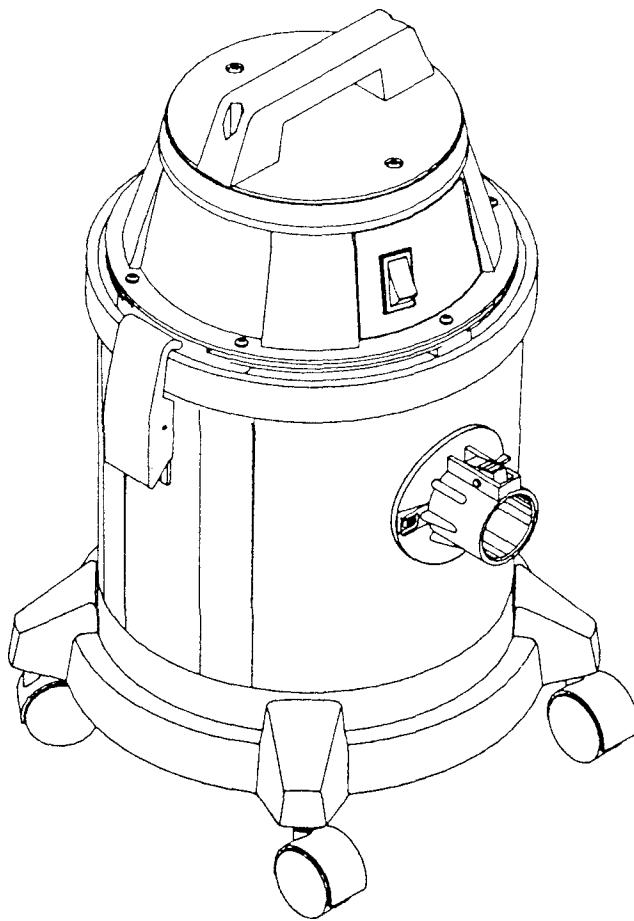
**Model No: C82904-04, 05, 06
C82906-04**

OPERATION

SERVICE

PARTS

CARE



Revised 6/02

Minuteman[®]

FOR COMMERCIAL USE ONLY

IMPORTANT SAFETY INSTRUCTIONS

When using an electrical appliance, basic precautions should always be followed, including the following:

READ ALL INSTRUCTIONS BEFORE USING

WARNING - To reduce the risk of fire, electric shock, or injury:

- Do not leave appliance when plugged in. Unplug from outlet when not in use and before servicing.
- To avoid electrical shock, do not expose to rain, store indoors.

WARNING:

To reduce the risk of electrical shock - Do not use on wet surfaces. Do not expose to rain. Store indoors.

- Do not allow to be used as a toy. Close attention is necessary when used by or near children.
- Use only as described in this manual. Use only manufacturer's recommended attachments.
- Do not use with damaged cord or plug. If appliance is not working as it should, has been dropped, damaged, left outdoors, or dropped into water, return it to a service center.
- Do not pull or carry by cord, use cord as a handle, close a door on cord, or pull cord around sharp edges or corners. Do not run appliance over cord. Keep cord away from heated surfaces.
- Do not unplug by pulling on cord. To unplug, grasp the plug, not the cord.
- Do not handle plug or appliance with wet hands.
- Do not put any object into openings. Do not use with any opening blocked; keep free of dust, lint, hair, and anything that may reduce air flow.
- Keep hair, loose clothing, fingers, and all parts of body away from openings and moving parts.
- Do not pick up anything that is burning or smoking, such as cigarettes, matches, or hot ashes.
- Do not use without dustbag and/or filters in place.
- Turn off all controls before unplugging.
- Use extra care when cleaning on stairs.
- Do not use to pick up flammable or combustible liquids such as gasoline or use in areas where they may be present.
- Connect to a properly grounded outlet only. See grounding instructions.

SAVE THESE INSTRUCTIONS

INSPECTION

Carefully unpack and inspect your machine for shipping damage. Each unit is tested and thoroughly inspected before shipment, and any damage is the responsibility of the delivery carrier who should be notified immediately.

ELECTRICAL - 115 Volt

This machine is designed to operate on a standard 15 amp, 115 volt, 60 hz, AC circuit. Voltages below 105 volts AC or above 125 volts AC could cause serious damage to the motor.

ELECTRICAL - 240 Volt

This machine is designed to operate on a standard 10 amp, 230 volt, 50 hz, AC circuit.

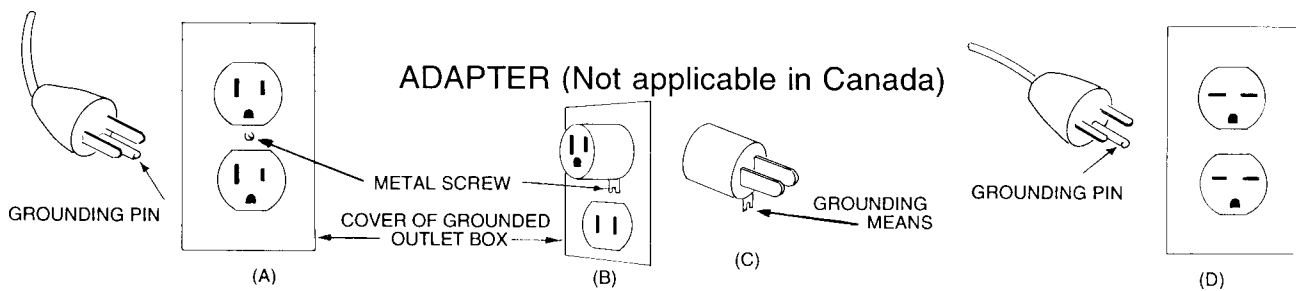
GROUNDING INSTRUCTIONS

This appliance must be grounded. If it should malfunction or breakdown, grounding provides a path of least resistance for electric current to reduce the risk of electric shock. This appliance is equipped with a cord having an equipment-grounding conductor and grounding plug. The plug must be plugged into an appropriate outlet that is properly installed and grounded in accordance with all local codes and ordinances.

DANGER

Improper connection of the equipment-grounding conductor can result in a risk of electric shock. Check with a qualified electrician or service person if you are in doubt as to whether the outlet is properly grounded. Do not modify the plug provided with the appliance — if it will not fit the outlet, have a proper outlet installed by a qualified electrician.

This machine is for use on a nominal 120 volt circuit and has a grounding plug that looks like the plug illustrated in Sketch A. Make sure that the machine is connected to an outlet having the same configuration as the plug. No adapter should be used with this appliance.



WARNING

This vacuum may contain potentially hazardous dust depending on its application. Special handling of contaminated disposal bags and filters is recommended. Disposal must be in compliance with local EPA regulations

USER MAINTENANCE INSTRUCTIONS

All service and repair should be performed by qualified vacuum service representative or electrician. No user serviceable components are employed in the electrical vacuum lid head assembly. No lubrication of the motor is required.

CLOTH BAG & HOSE ASSEMBLY

Cloth bag and hose assembly are user maintenance items and can be replaced when worn out. For optimum performance, empty and clean filter bag regularly. A clogged and dirty bag restricts the flow of air and results in reduced vacuum. The hose assembly can be maintained by wiping off with a dampened cloth of mild liquid soap and water, then allowed to dry.

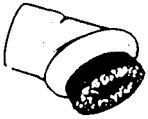


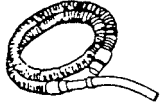
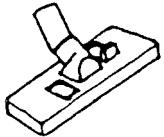

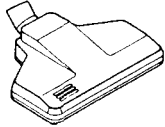

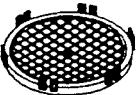
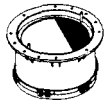

CORD STORAGE

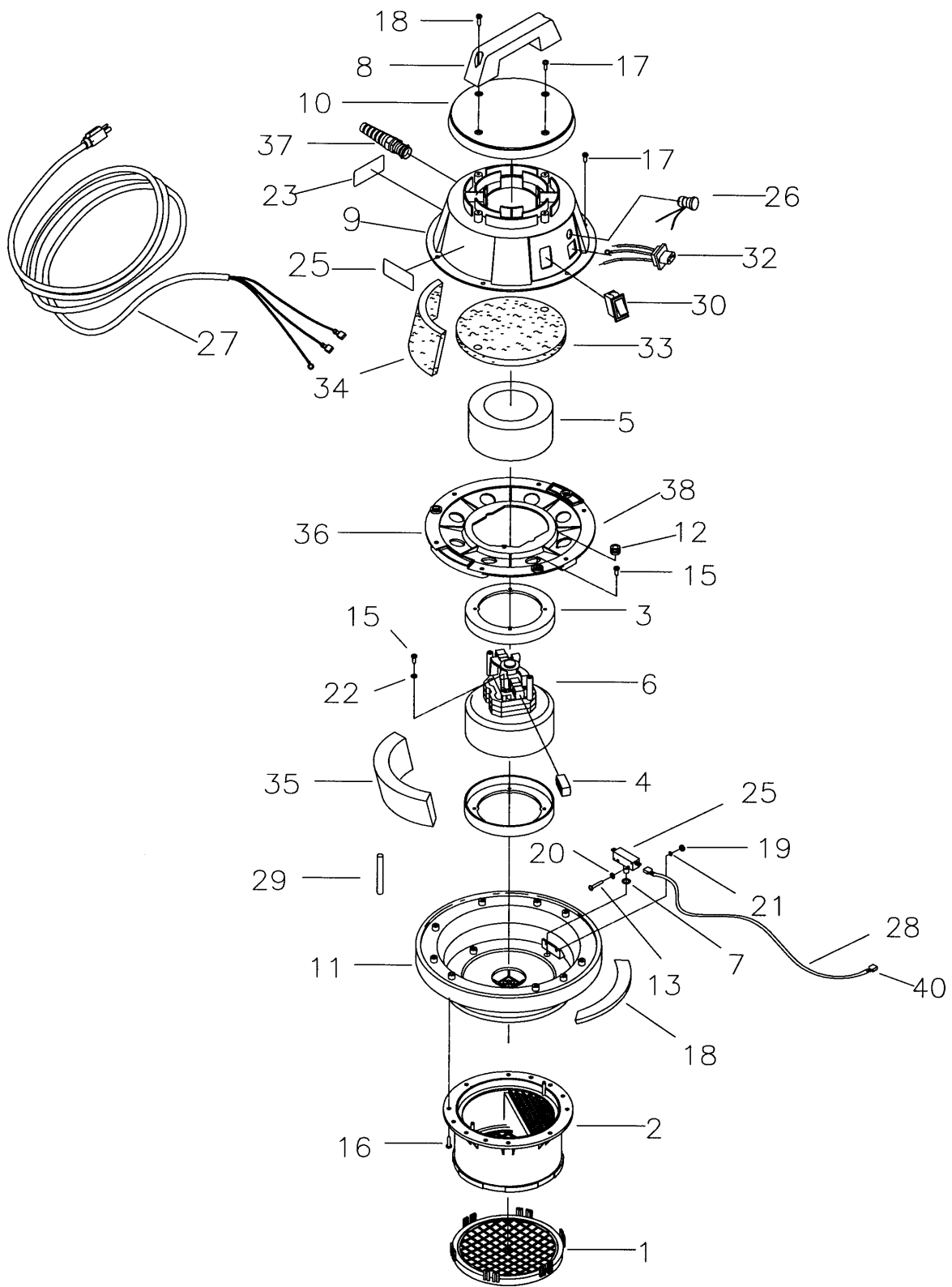
While not in use storage can be accomplished by winding cord around motor lid assembly. Cord should be completely unwound from lid assembly during operation.

- Do not use with damaged cord or plug. If appliance is not working as it should, has been dropped, damaged, left outdoors, or dropped into water, return to service center.
- Do not pull or carry by cord, use cord as handle, close a door on cord, or pull cord around sharp edges or corners. Do not run appliance over cord. Keep cord away from heated surfaces.
- Do not unplug by pulling cord. To unplug, grasp the plug, not the cord.
- Do not handle plug or appliance with wet hands.
- Always unplug the machine when removing the motor head off the tank.
This equipment should be stored indoors and not exposed to rain.

Always unplug the machine when removing the motor head off the tank. This equipment should be stored indoors and not exposed to rain.

OPTIONAL INDUSTRIAL TOOLS AND ACCESSORIES

	Part No.	Description
A		829563 Dust Brush Complete
B		8229562 Crevice Tool 1 1/4" (32 mm)
C		829565MCH Wand Tube (2 required)
D		829843 Hose Asy 1 1/4" x 8' (32 mm x 2.4 m)
E		829561 Combination Floor Tool
F		829564 Upholstery Tool
G		829564 Optional Turbo Brush
H		384003PKG Disposable Paper Replacement Filter Bags Package of 10
I		110005PKG Pre-Filter Assembly
J		110006 High Efficiency Filter
K		829097 Tool Kit Caddy



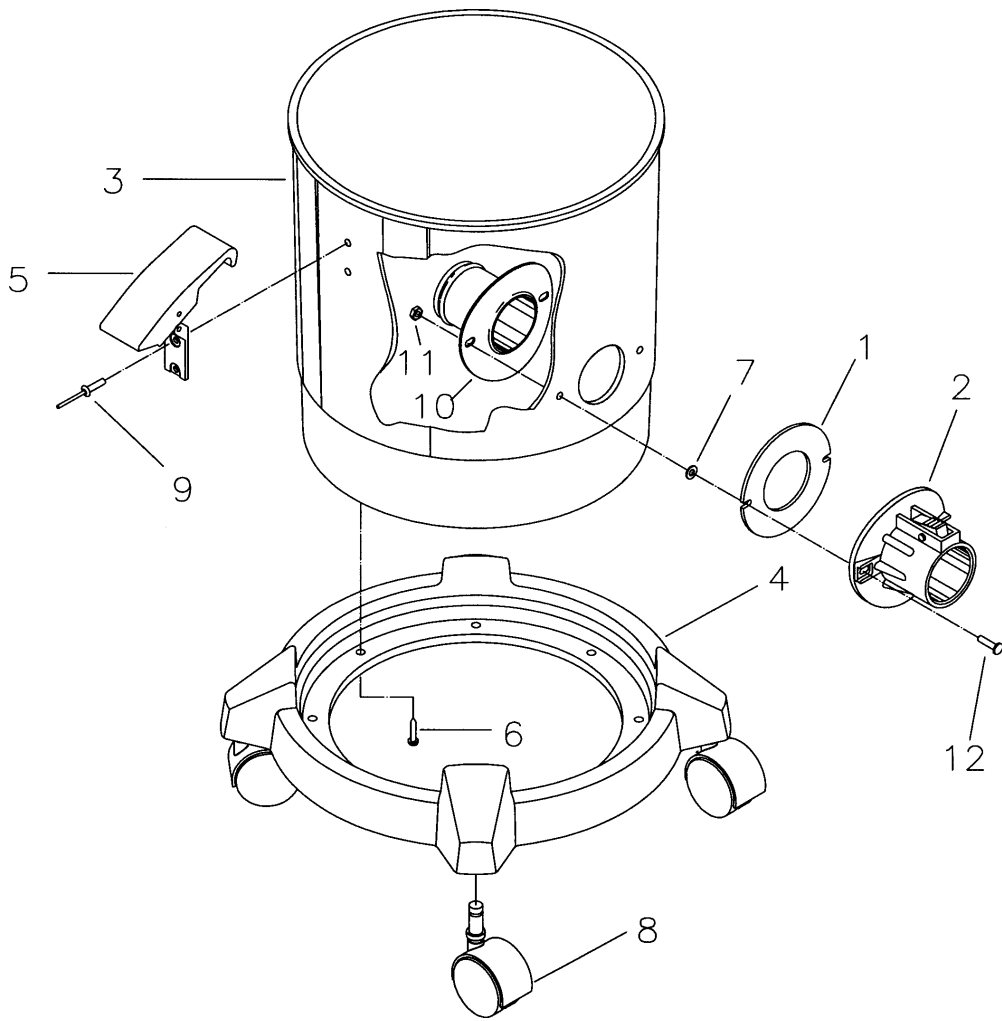
Parts List

Item	Part No.	Qty.	Description
1	110005	1	Pre-Filter Assembly
2	110006	1	High Efficiency Filter
3	290017	2	Molded Vac Mtr Gasket
4	380028	1	Carbon Brush Replacement
5	380064	1	Foam RIng
6	381001	1	Vac Motor 115V (Dry only)
6A	381044	1	Vac Motor 240V
6B	740357	1	Vac Motor 115V
7	390062	1	O-Ring
8	460001	1	Handle
9	460100	1	Motor Lid Cover (6 Gal, 115V only)
9A	829091	1	Mtr Cover 4G Dry
10	460100	1	Motor Cap
11	460121	1	Motor Pan Assembly
12	700287	1	Grommet (115V only)
13	710307	2	SCR-MC 6/32 x 1
14	711124	1	SCR-St-B 10 x .37 NI
15	711125	5	SCR-ST-B x .5 NI
16	711160	9	SCR Hi/Lo #10 x 5/8 PL
17	711161	8	SCR Hi/Lo #10 x 3/4 PL
18	711162	2	SCR Hi/Lo #10 x 1 1/2 PL
19	711301	2	Nut 6/32
20	711502	2	WSR-Flat #8
21	711551	1	WSR-Internal Lock #6
22	711553	1	WSR-Internal Lock #10
23	715009	1	Decal Warning to Avoid
24	715015	1	Decal Warning 1.25x2.75 (240V)
25	710029	1	Switch 1.5 HP
26	740088	1	Vac Sensor Light
27	740705	1	Power Cord Set
27A	381020	1	Grey Cord Set 50' (115V only)
28	740938	1	16GA Black Wire
29	800071	1	Tube
30	809754	1	Switch Rocker
32	831801	1	Receptical w/ Clip
33	832197	1	Felt Upper Dome
34	832198	1	Felt Outer Dome
35	832219	1	Diffuser Foam
36	832637	1	Motor Hold Down Plate
36	833237	1	Strain Relief w/ Nut
38	460104MCH	1	Mtr Holdown 829 Series (115V only)
40	740014	4	Female Spade Terminal
***	829230	1	Lid Assembly
***	829090	1	Lid Assembly
***	829140	1	Lid Assembly

To install pre-filter Item 1, position on bottom of HEPA filter Item 2 as shown on Page 5 and snap into place. To remove, rotate pre-filter on base of HEPA filter to disengage clamp fingers and slide off.

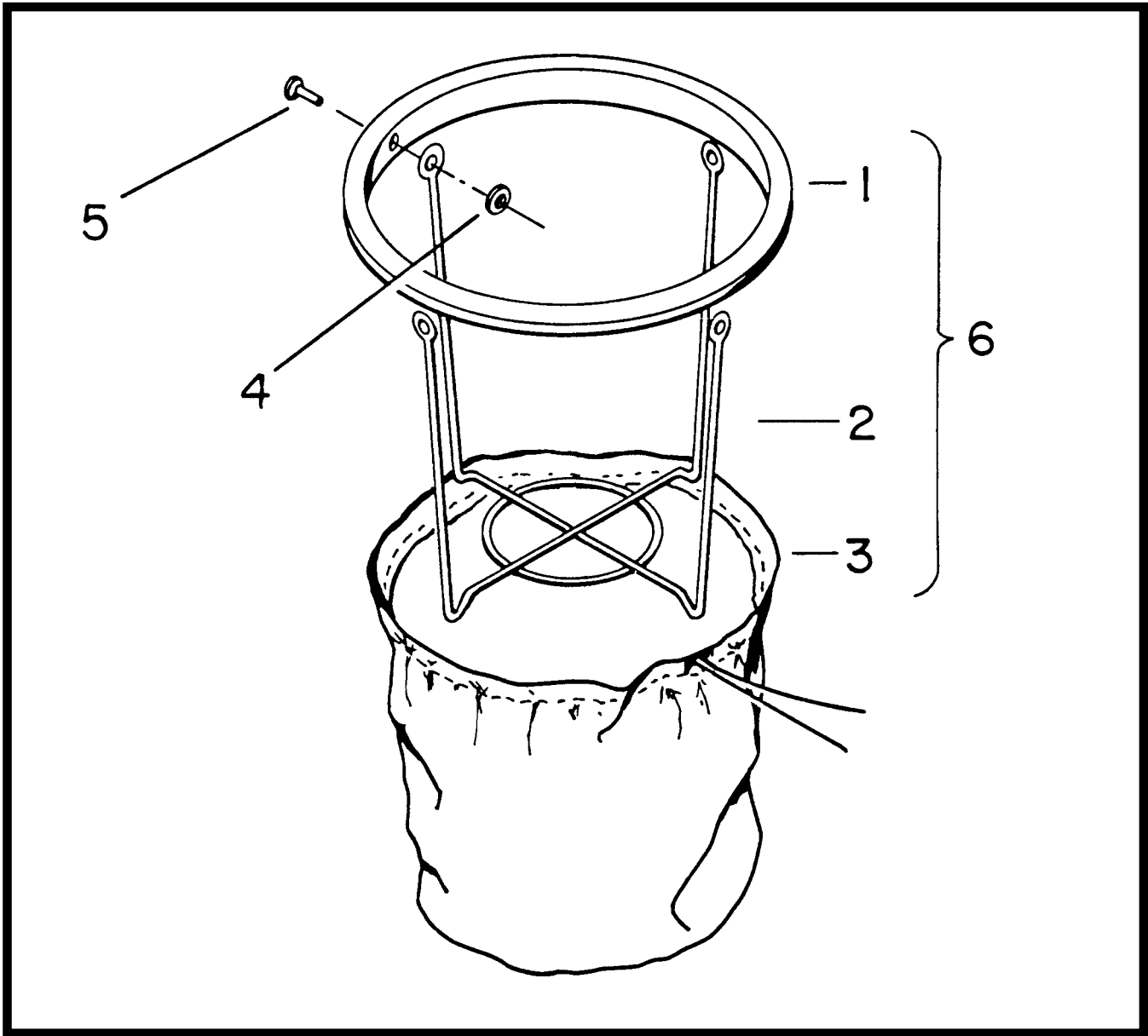
WARNING

This vacuum may contain potentially hazardous dust depending on its application. Special handling of contaminated disposal bags and filters is recommended. Disposal must be in compliance with local EPA regulations



Parts List

Item	Part No.	Qty.	Description
1	390087	1	Gasket Diecut
2	390100	1	Intake Assembly
3	460109	1	Tank 6 Gal Low Intake
4	460115	1	Dolly
5	460114	2	Latch Poly Tank
6	711160	4	SCR Hi/Lo #10 x 5/8 PL
7	712320	2	WSR Nylon .22 x .45 x .04
8	460118	4	Caster
9	828893	4	Pop Rivet
10	750118	1	Intake ASsy Tube 4/6 Gal
11	712638	2	Nut Hex 10-24 SS Nyloc
12	712824	2	SCR-THMS 10-24 x .75 STPL
***	290010	1	Tank Asy 6 Gal LI DF&IT
***	294005	1	Tank Asy 4 Gal LI IT&WB
***	829098	1	Tank Asy Comp 4G Allergy



Parts List

Item	Part No.	Qty.	Description
1	760244MCH	1	Molded Bag Ring
2	829093	1	Bag Frame
3	805043	1	Cloth Bag
4	712764	4	SS Washer #10
5	711903	4	Pop Rivet
6	829094	1	Bag Asy Complete

LIMITED WARRANTY

Minuteman International, Inc. warrants to the original purchaser/user that this product is free from defects in workmanship and materials under normal use and service for a period of two years from date of purchase. In addition, Minuteman International, Inc. will, at its option, honor labor warranty claims for the first 12 months from date of sale, provided such claims are submitted through and approved by factory authorized repair stations. Minuteman International, Inc. will, at its option, repair or replace without charge, except for transportation costs, parts that fail under normal use and service when operated and maintained in accordance with the applicable operation and instruction manuals.

This warranty does not apply to normal wear, or to items whose life is dependent on their use and care, such as belts, cords, switches, hoses, rubber parts, electrical motor components or adjustments. Parts not manufactured by Minuteman International, Inc. such as engines, batteries, battery chargers, hydraulic pumps, and tires are covered by and subject to the warranties and/or guarantees of their manufacturers. Please contact Minuteman International, Inc. for procedures in warranty claims against these manufacturers.

Special warning to purchaser — Use of replacement filters and/or prefilters not manufactured by Minuteman International, Inc. or its designated licensees, will void all warranties expressed or implied.

A potential health hazard exists without exact original equipment replacement.

All warranted items become the sole property of Minuteman International, Inc. or its original manufacturer, whichever the case may be.

Minuteman International, Inc. disclaims any implied warranty, including the warranty of merchantability and the warranty of fitness for a particular purpose. Minuteman International, Inc. assumes no responsibility for any special, incidental or consequential damages.

This limited warranty is applicable only in the U.S.A. and Canada, and is extended only to the original user/purchaser of this product. Customers outside the U.S.A. and Canada should contact their local distributor for export warranty policies. Minuteman International, Inc. is not responsible for costs or repairs performed by persons other than those specifically authorized by Minuteman International, Inc. This warranty does not apply to damage from transportation, alterations by unauthorized persons, misuse or abuse of the equipment, use of non-compatible chemicals, or damage to property, or loss of income due to malfunctions of the product.

If a difficulty develops with this machine, you should contact the dealer from whom it was purchased.

This warranty gives you specific legal rights, and you may have other rights which vary from state to state. Some states do not allow the exclusion or limitation of special, incidental or consequential damages, or limitations on how long an implied warranty lasts, so the above exclusions and limitations may not apply to you.

Minuteman[®]

World Headquarters
Minuteman International, Inc.
111 South Rohlwing Road
Addison, Illinois 60101

Minuteman Canada, Inc.
2210 Drew Road
Mississauga, Ontario
L5S 1B1

(630) 627-6900
FAX (630) 627-1130

(905) 673-3222
FAX (905) 673-5161

987625
Printed in U.S.A.